



Auto Tracking Pan-Tilt-Zoom Camera

1 Beyond AutoTracker™ 2 Camera

High definition auto-tracking camera ideal for recording lectures and conferences.



AutoTracker™ 2

No Camera Operator Needed

Automatically follows a person using facial recognition & motion detection technology. No lanyard or extra software.

Smart Tracking Ability

Tracks person even if person turns around or stands still. No impact from other moving objects or people.

Two HD-SDI Cameras in One

One wide angle camera to detect the speaker and one PTZ to zoom in, detect face and auto-track. Two HD-SDI outputs.

Smooth, Quiet & Fast Operation

High precision tilt speed with up to 160°/s and pan speeds up to 150°/s. No distracting noise or stutters during pan or zoom.

Easy Connect & Setup

Connects to PC for a one time 5 minute configuration per room. Auto detects motion and tracks presenters right out of the box.

Custom Settings

Adjust white balance, iris and brightness. Set blocking & priority zones, tracking speed, framing for subject and more.

Control & Mounting Options

Wall, ceiling or tripod mounts available. Can also be used as manual PTZ camera using any rs485 or rs232 controller.

Quick Specs

Video Output

HD-SDI (dual)

Image Sensors

1/2.8" Sony Exmor CMOS, 2.14MP

Lens

4.7mm-94mm

White Balance

Auto, Indoor, Outdoor, One Push, Manual

Video Formats

1080p/60,50,30,25
1080i/60,50
720p/60,50

Optical Zoom

20x

Field of View

59.5°-2.9°

Dimensions

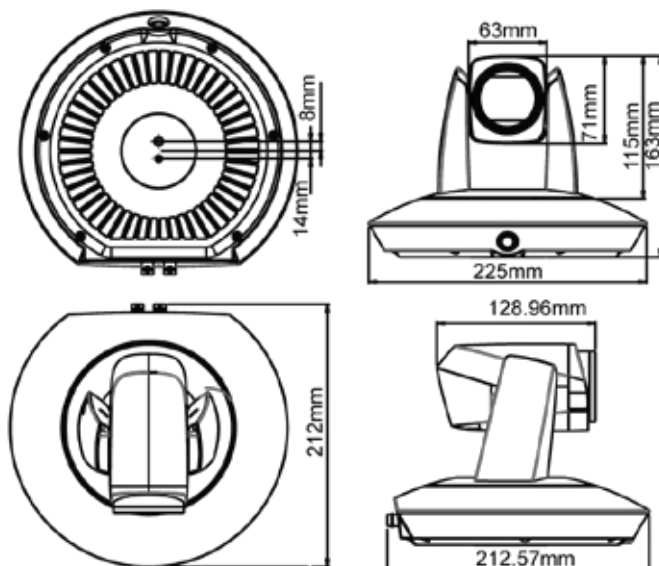
8.9in x 8.3in x
6.4in

1 Beyond AutoTracker™ 2 Technical Specifications

Tracking Camera	
Image Sensor	1/2.8" Exmor CMOS, 2.14MP
Signal Formats (HD)	1080p/60, 1080p/50, 1080p/30, 1080p/25, 1080i/60, 1080i/50, 720p/60, 720p/50
Focal Lens	f=4.9mm-94.0mm
Iris	F1.6-F3.5
Optical Zoom	20X
Digital Zoom	12X
Min.object distance	10mm-1,000mm
Field of View	59.5° - 2.9°
Focus System	Auto, Manual, PTZ trigger, One push trigger
Min. Illumination	0.5 Lux
Shutter Speed	1/1~ 1/10,000 sec
Gain	Auto/Manual
White Balance	Auto, Indoor, Outdoor, One Push, Manual
Exposure	Auto, Manual, Shutter Priority, Iris Priority
S/N	≥50dB
Pan Angle	-170°~+170°
Tilt Angle	-30°~+90°
Pan Speed	0.1°~90°/S
Tilt Speed	0.1°~120°/S
Preset Number	256
Full View Camera	
Image Sensor	1/2.8" Exmor CMOS, 2.14MP
Lens	3.73mm
Signal Formats (HD)	1080p/60, 1080p/50, 1080p/30, 1080p/25, 1080i/60, 1080i/50, 720p/60, 720p/50
Field of View	Horizontal 92°, Vertical 50°
White Balance	Auto
Exposure	Auto

General	
HD Output	HD-SDI (dual outputs)
Control Interface	RS-232, RS-485
Protocol	VISCA, PELCO-D
Address	0~63
Power	DC12V
Power Consumption	<15W
Operating Temperature	0°C~+40°C
Storage Temperature	-20°C~+60°C
Dimensions (W×H×D)	8.9in x 8.3in x 6.4in (225mm x 212.57mm x 163mm)
Weight	1.93 KG (4.25 lbs)

Measurements



Rear Ports

